



FiberReed Installation Instructions

Tile Specifications

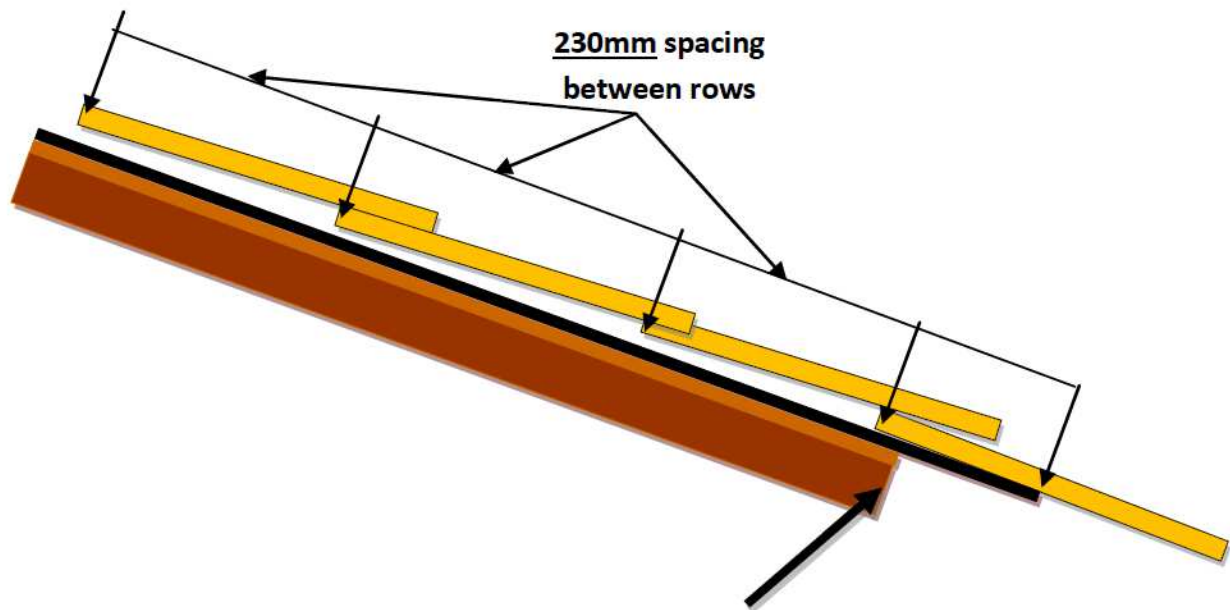
Size (mm)	800 x 450 x 12.5
Tiles per m ²	5.4



General Information

Tile rows should be spaced 230mm apart. No special tiles needed for the hip or valley sections of the roof. The installation process is simple and can be completed with minimal training.

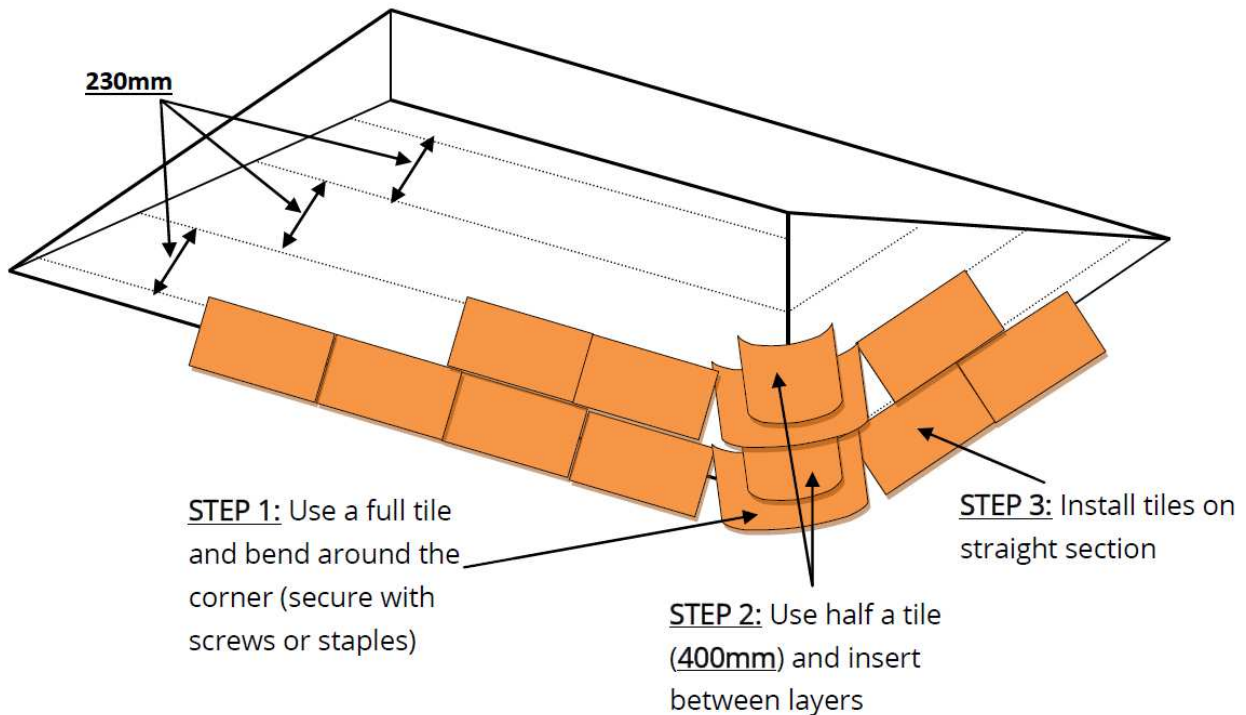
Spacing Between Layers



Roof edge: Start first row on roof edge. Optional: Another tile can be added to increase the “bushy” effect



Installing Hip Section



Quick Notes

- There is no special hip tile – bend the regular tiles around corners (any corner angle).
- As illustrated in step 2; don't forget to cut a tile in half and secure between the 400mm lines. This will make the hip thicker, for optimal aesthetic appearance.
- It is recommended to stagger the tiles. This will eliminate gaps on straight sections.
- Tiles can be cut to size with a sharp knife, or sharp pruning shears.
- Use 6 galvanized or stainless screws or staples to secure tiles through the polyurethane backing strip for optimal sturdiness.